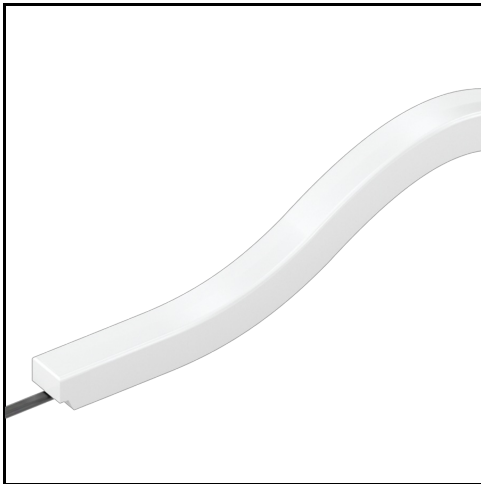


VarioLED™ Flex VENUS White Top View IP67

Area: **Outdoor Luminaires**

Category: **Flexible light lines**

Mounting: **Surface-mounted, Clips and profile without mounting channel / Surface-mounted, Clips and profile with mounting channel / Surface-mounted, SST Clips / Surface-mounted, Clips**



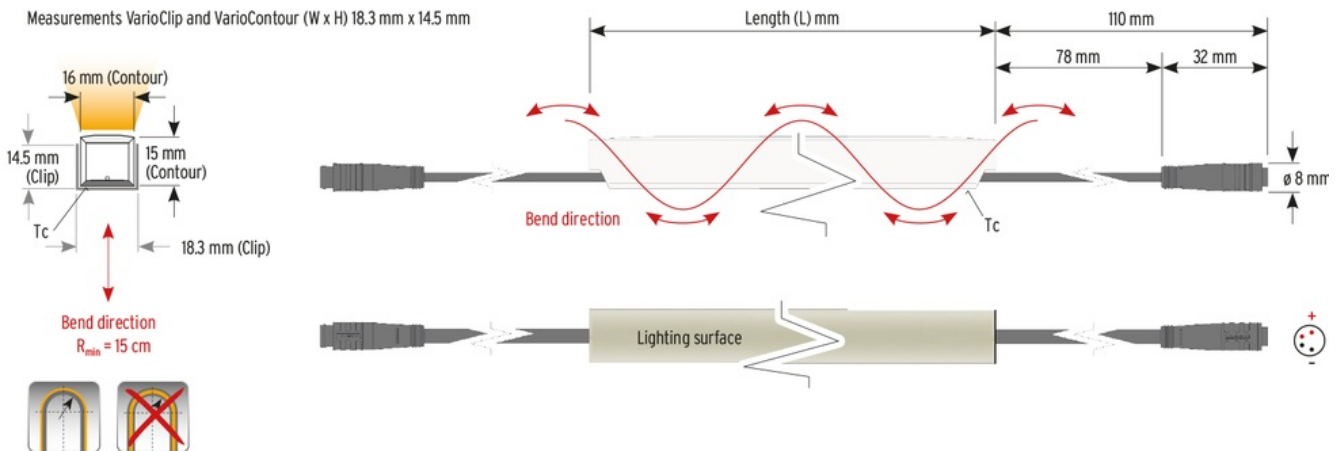
Light lines bendable in one direction (top view or side view) with a perfectly homogeneous and dot-free light surface for outdoor architectural lighting.

- VENUS is a polyurethane encapsulated luminaire. Resistance and chemical stability against urban gases.
- With an efficiency up to 95 lm/W, VENUS stands out as one of the most efficient light line available to date.
- The various lumen output and a large panel of available CCTs turns VENUS into a modular lighting design toolkit.

Detailed specification text in download section.

DIMENSIONS & AVAILABLE LENGTHS

Measurements VarioClip and VarioContour (W x H) 18.3 mm x 14.5 mm



Tolerance +/- 5 mm

110 mm IP67 plug in connector (male / female) on both ends

At maximum length only one side with IP67 plug in connector male, no female connector.

Tc-point (Case temp.) on the rear side of the module

Fixture build to length (not field cuttable): $L = (N \times 62.5 \text{ mm}) + 26 \text{ mm}$; $N = 3 \dots 80$; $L_{\min} = 213.5 \text{ mm}$; $N_{\max} = 80$; $L_{\max} = 5,026 \text{ mm}$

TECHNICAL SPECIFICATIONS

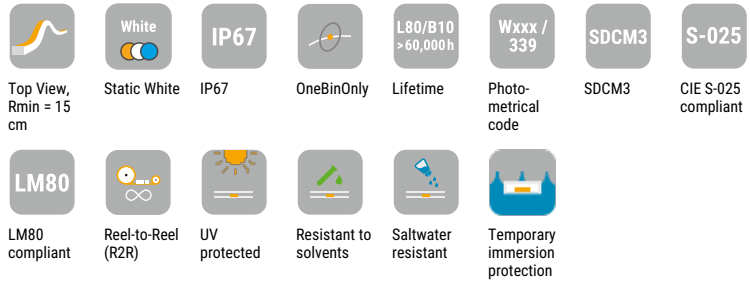
Certifications



Awards



Technical Data/Performance



Compliant with EU ECODSIGN guidelines

ELECTRICAL & OUTPUT DATA

Voltage	24 Volt (23 V _{min} , 25 V _{max})
Housing temperature (T _{c min} & T _{c max})	T _{c min} = -25°C, T _{c max} = specific, see Table below
Storage Temperature (T _{s min} & T _{s max})	T _{s min} = -30°C, T _{s max} = 85°C
Ambient temperature (T _{a min} & T _{a max})	T _{a min} = -25°C, T _{a max} = specific, see Table below

VarioLED™ Flex VENUS White Top View IP67	VENUS White TV	PHOBOS White TV	SKYLLA White TV
Power (W/m) ^A	6	10	15
Efficacy (lm/W) ^A	81	81	88
max. length (m)	5.03	5.03	4.03
max. serial run length (m)	5.0	5.0	4.0
CRI / R9 (up to)	95 / 82	95 / 82	85 / 32
max. Housing temperature (T _{c max}) (T _{c max}) ^B	60°C	60°C	60°C
max. Ambient temperature (T _{a max})	40°C	40°C	35°C

VarioLED™ Flex VENUS White Top View IP67		VENUS White TV	PHOBOS White TV	SKYLLA White TV
Order Code	Delivered CCT	luminaire lumens/meter (lm/m) ^A		
● W820	2,000K	290	510	870
● W822	2,200K	550	550	950
● W825	2,500K	630	630	1020
● W927	W927 2,700K	560	560	1240
● W930	W930 3,000K	570	570	1260
● W935	W935 3,500K	590	590	1300
● W940	W940 4,000K	610	610	1320
● W850	5,000K	770	770	1350

! To configure the specific luminaire please use the online configurator.

Please note: The orange values are CRI 90 specifications.

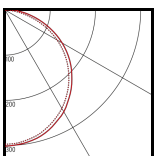
^AThe given data are typical values. Due to tolerances of the production process and the electrical components, photometric values and electrical power can vary up to 10%

^BThe T_c-point should be measured in thermal equilibrium according to IEC EN 60598-1.

^CIn case of IP67 products, tolerances in the color temperature can occur.

AVAILABLE OPTICS (FAMILY)

Polyurethane encapsulation



ORDER CODE

Example:

VarioLED Flex VENUS **W820** TV IP67

CONFIGURE NOW!

Options for the order code:

Your selections :

Luminous flux

- VENUS VENUS
- PHOBOS PHOBOS
- SKYLLA SKYLLA

Color temperature

- 2,000 K W820
- 2,200 K W822
- 2,500 K W825
- 2,700 K W927 / W927
- 3,000 K W930 / W930
- 3,500 K W935 / W935
- 4,000 K W940 / W940
- 5,000 K W850

Please note: The orange values are CRI 90 specifications.

Length

- L_{min}: 214 mm 0214
- L_{max}: 5,026 mm 5026

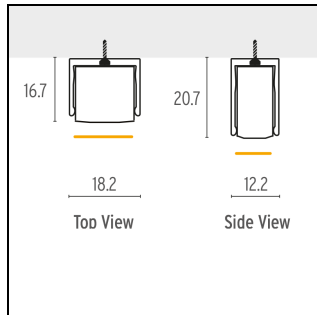
Fixture build to length (not field cuttable): $L = (N \times 62.5 \text{ mm}) + 26 \text{ mm}$; $N = 3 \dots 80$; $L_{\text{min}} = 213.5 \text{ mm}$; $N_{\text{max}} = 80$; $L_{\text{max}} = 5,026 \text{ mm}$

TYPICAL APPLICATIONS

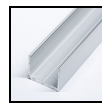


MOUNTING

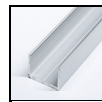
1. Surface-mounted, Clips and profile without mounting channel



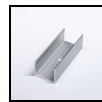
Mounting accessories



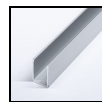
Vario Contour TV Channel
2,000 mm aluminum profile (only for Top View light lines)
Art.-#: 10000049-01



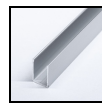
Vario Contour TV Channel
4,000 mm aluminum profile (only for Top View light lines)
Art.-#: 10000049-01-4m



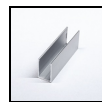
VarioClips VENUS TV 50 mm
Mounting-Clip for Venus TV (only for Top View light lines)
Art.-#: 13000010-01



VarioContour SV Channel
2,000 mm aluminum profile (only for Side View light lines)
Art.-#: 10000048-01



VarioContour SV Channel
4,000 mm aluminum profile (only for Side View light lines)
Art.-#: 10000048-01-4m



VarioClip VENUS SV 50mm
Mounting-Clip for Venus SV (only for Side View light lines)
Art.-#: 13000011-01

Description

Continuous anodized aluminum surface mounting profile designed to fit Venus TV product.
! Please carefully review the pages 10 and 11 of the mounting instructions.

Continuous anodized aluminum surface mounting profile designed to fit Venus TV product.
! Please carefully review the pages 10 and 11 of the mounting instructions.

Aluminum surface mounting bracket. Recommended for overhead mounting 5 brackets per meter (3 brackets for other mountings).

Continuous anodized aluminum surface mounting profile designed to fit VENUS SV product.
! Please carefully review the pages 10 and 11 of the mounting instructions.

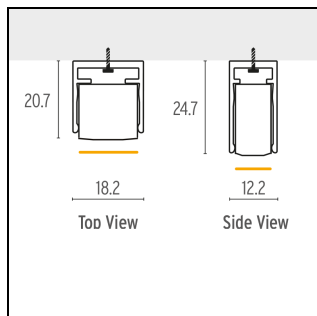
Continuous anodized aluminum surface mounting profile designed to fit Venus SV product.
! Please carefully review the pages 10 and 11 of the mounting instructions.

Aluminum surface mounting bracket. Recommended for overhead mounting 5 brackets per meter (3 brackets for other mountings).

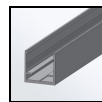
Example of application



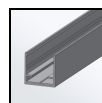
2. Surface-mounted, Clips and profile with mounting channel



Mounting accessories



VarioContour VENUS TV CC
2,000 mm aluminum profile with cable runway (only for Top View light lines)
Art.-#: 10000339



VarioContour VENUS TV CC
4,000 mm aluminum profile with cable runway (only for Top View light lines)
Art.-#: 10000339-4m

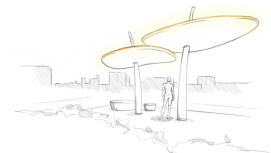
Description

Continuous aluminum surface mounting profile. Cable runway allows the cables to run underneath the fixture.
! Please carefully review the pages 10 and 11 of the mounting instructions.

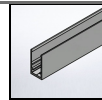
Continuous aluminum surface mounting profile. Cable Runway allows the cables to run underneath the fixture.
! Please carefully review the pages 10 and 11 of the mounting instructions.

Continuous aluminum surface mounting profile. Cable Runway

Example of application

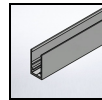


VarioLED™ Flex VENUS IP67



VarioContour VENUS SV CC
2,000 mm aluminum profile with cable runway (only for Side View light lines)
Art.-#: 10000520

allows the cables to run underneath the fixture.
! Please carefully review the pages 10 and 11 of the mounting instructions.



VarioContour VENUS SV CC
4,000 mm aluminum profile with cable runway (only for Side View light lines)
Art.-#: 10000520-4m

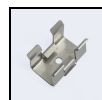
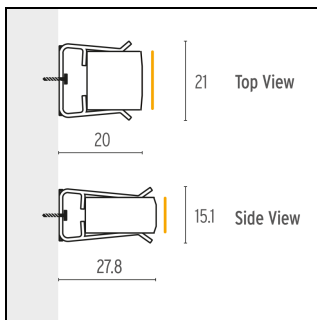
Continuous aluminum surface mounting profile. Cable Runway allows the cables to run underneath the fixture.
! Please carefully review the pages 10 and 11 of the mounting instructions.

3. Surface-mounted, SST Clips

Mounting accessories

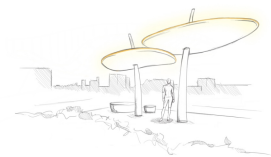
Description

Example of application



VarioClip TV 30mm 316L
Mounting Clamp
Art.-#: 13000050-01

Special grade stainless steel surface mounting clip for harsh environments. Recommended to use for overhead mounting 5 brackets per meter (3 brackets for other mountings).



VarioClip SV 30mm 316L
Mounting Clamp for VarioLED™ Flex VENUS / PHOBOS / SKYLLA Side View
Art.-#: 13000051-01

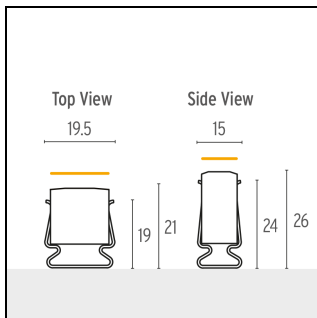
Special grade stainless steel surface mounting clip for harsh environments. Recommended to use for overhead mounting 5 brackets per meter (3 brackets for other mountings).

4. Surface-mounted, Clips

Mounting accessories

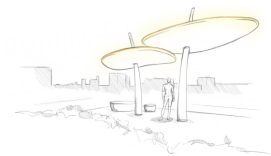
Description

Example of application



VarioClip TV 30mm (301/1.4310/V2a)
Mounting clip for VarioLED™ Flex VENUS Top View
Art.-#: 13000033-01

Stainless steel clips for surface mount application.



VarioClip SV 30mm (301/1.4310/V2a)
Mounting clip for VarioLED™ Flex VENUS Side View
Art.-#: 13000038

Stainless steel clips for surface mount application.

If the luminaire shall be installed without our mounting accessories, please get in touch with us to check the compatibility of the mounting.

POWER SUPPLY UNIT (PSU) & CONTROLS

Recommended PSU

VarioPSU 24V/100W IP67, ON/OFF, Silver
Art.-#: 16000064



Dimensions (L x H x W) : **220 mm x 38.8 mm x 68 mm**
 Electrical Class: **SK I**
 LED Drive: **CV**
 Voltage (V): **24 V**
 Rated Power (W): **100**
 Input Voltage (Vac): **90 – 305**
 Region: **WR**
 Certificates: **ENEC, UL**
 Schutzart: **IP67**
 Indoor/Outdoor: **Outdoor**

Recommended Control

IN.finite CASAMBI 2Ch CV
Art.-#: 16000267-EVO



Dimensions (L x H x W) : **188 mm x 21 mm x 30 mm**
 Channels: **2**
 Dimming Options: **Casambi BLE**
 Dimming: **PWM (f ~ 1600Hz)**
 Dimming Curve: **Lin/Log/free conf.**
 Dimming Range: **100% - 0%**
 Voltage (V): **12-50V**
 Certificates: **tbd**
 Schutzart: **IP10**
 Indoor/Outdoor: **Indoor**

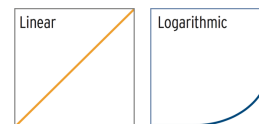
Recommended PSU

VarioPSU 24V/90W IP67, 0-10V, Black
Art.-#: 16000154



Dimensions (L x H x W) : **171 mm x 37.5 mm x 63 mm**
 Electrical Class: **SK II**
 LED Drive: **CV**
 Voltage (V): **24 V**
 Rated Power (W): **90 W**
 Input Voltage (Vac): **90 – 305**
 Region: **WR**
 Certificates: **ENEC, UL**
 Schutzart: **IP67**
 Indoor/Outdoor: **Outdoor**

Dimming



Recommended PSU

VarioPSU 24V/90W IP67, DALI, Black
Art.-#: 16000348



Dimensions (L x H x W) : **171 mm x 63 mm x 37.5 mm**
 Electrical Class: **SK II**
 LED Drive: **CV**
 Voltage (V): **24 V**
 Rated Power (W): **90**
 Input Voltage (Vac): **90 – 305**
 Region: **WR**
 Certificates: **ENEC, UL**
 Schutzart: **IP67**
 Indoor/Outdoor: **Outdoor**

CABLING ACCESSORIES



VarioCon Female Mono 2 x 0,34 mm² 0,115 m IP67
 Art.-#: **15000071**
 Required quantity: -



VarioCon Female Mono 2 x 0,34 mm² 1 m IP67
 Art.-#: **15000090**
 Required quantity: -



VarioCon Female Mono 2 x 0,34 mm² 2 m IP67
 Art.-#: **15000091**
 Required quantity: -



VarioCon Female Mono 2 x 0,34 mm² 5 m IP67
 Art.-#: **15000092**
 Required quantity: -



VarioCon Female Mono 90° 2 x 0,34 mm² 2 m IP67
 Art.-#: **15000089**
 Required quantity: -



VarioCon Extension 4 x 0,25 mm² 5 m IP67
 Art.-#: **15000103**
 Required quantity: -



VarioCon Protection Plug 8mm snap, black
 Art.-#: **15000115**
 Required quantity: -

VOLTAGE DROP INFORMATION FOR THE FEED-IN LINE (PSU / CONTROL TO FIXTURE)

0.34 mm² / AWG 22

VarioLED™ Flex VENUS White Top View IP67	VENUS White TV	PHOBOS White TV	SKYLLA White TV
Product run Length	max. cable length between PSU / Control unit and the luminaire		
1 m	32.3 m	19.4 m	12.9 m
2 m	16.1 m	9.7 m	6.4 m
3 m	10.7 m	6.4 m	4.3 m
4 m	8 m	4.8 m	3.2 m
5 m	6.4 m	3.8 m	-

1.5 mm² / AWG 15

VarioLED™ Flex VENUS White Top View IP67	VENUS White TV	PHOBOS White TV	SKYLLA White TV
Product run Length	max. cable length between PSU / Control unit and the luminaire		
1 m	142.8 m	85.6 m	57.1 m
2 m	71.4 m	42.8 m	28.5 m
3 m	47.6 m	28.5 m	19 m
4 m	35.7 m	21.4 m	14.2 m
5 m	28.5 m	17.1 m	-

Calculation refers to the cable configuration on site.

The information listed in the table is only refers to the conductor-based voltage drop of max. 0.85V at 24V DC input voltage.

Regarding the electromagnetic compatibility (EMC) the maximum cable length is defined by the power supply manufacturer.

A cable length between power supply and planned product longer than indicated by the datasheet of the power supply is possible. However the electromagnetic compatibility can then be influenced by the conditions of the installation site. There is no data on electromagnetic compatibility for longer cable lengths, which might lead to the necessity of an evaluation of the electromagnetic compatibility by a third party.

Datasheets and mounting instructions of the components in combination with the planned product must be carefully read and followed.