

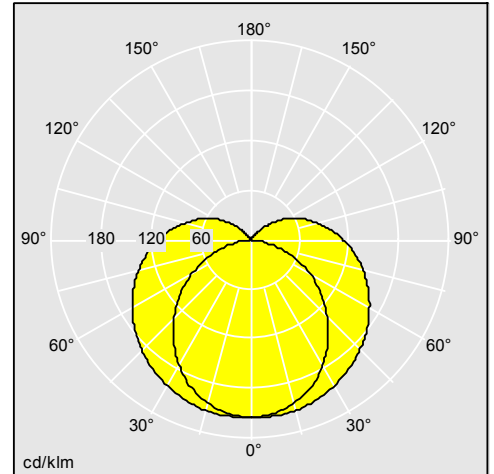
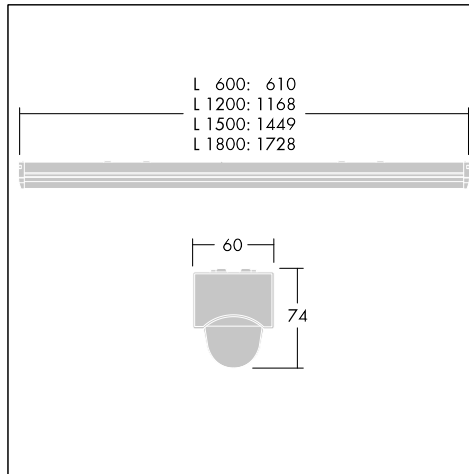
PopPack

PopPack LED batten

- LED one for one replacement for single and twin T8/T5 fluorescent battens
- Up to 153lm/W - exceeding building regulation requirements
- Optional screws can be added to end caps to lock the housing to ensure increased security
- Additional savings can be achieved via DALI control and an integral PIR sensor.



Photographs, line drawings and photometric data are representative only. For specific product detail please select an individual product.



96242251

Material/Finish

Batten: pre-coated roll form steel, white (RAL9016)
 End caps/lamp holders: injection moulded polycarbonate, white
 Diffuser: textured opal acrylic

Installation/Mounting

1 or 2 x (3 x 2 x 2.5mm²) terminal blocks with capacity for loop in/out 2.5mm² cables. Ambient temperature: -20 to +25°C for the standard product, 0 to 25°C for the emergency versions, normal, dry, indoor atmospheres. Suitable for direct surface mounting, BESA mounting or wire suspension. Easy alignment through slots in the spine. Optional screws can be added to end caps to lock the housing.

Specification

To specify state:

LED batten with a detachable LED engine. Switchable or DALI ballast, integral emergency and sensor versions available.
 As Thorn PopPack LED

PopPack

Ordering Guide

| Description | ILCOS Code | Socket | Wt (kg) | SAP Code |
|---|------------|--------|---------|----------|
| PopPack battens | | | | |
| POPPACK LED 6500-840 HF L1800 | LED | | 1,8 | 96631566 |
| POPPACK LED 11000-840 HF L1800 | LED | | 1,8 | 96631570 |
| POPPACK LED 3000-830 HF L1200 | LED | | 1,4 | 96631574 |
| POPPACK LED 4500-830 HF L1200 | LED | | 1,4 | 96631575 |
| POPPACK LED 7000-830 HF L1200 | LED | | 1,4 | 96631576 |
| POPPACK LED 5000-830 HF L1500 | LED | | 1,7 | 96631578 |
| POPPACK LED 6000-830 HF L1500 | LED | | 1,7 | 96631579 |
| POPPACK LED 6500-830 HF L1800 | LED | | 1,8 | 96631580 |
| POPPACK LED 3000-840 HF L1200 | LED | | 1,3 | 96631538 |
| POPPACK LED 4500-840 HF L1200 | LED | | 1,4 | 96631542 |
| POPPACK LED 7000-840 HF L1200 | LED | | 1,4 | 96631546 |
| POPPACK LED 5000-840 HF L1500 | LED | | 1,7 | 96631554 |
| POPPACK LED 6000-840 HF L1500 | LED | | 1,7 | 96631558 |
| POPPACK LED 9000-840 HF L1500 | LED | | 1,7 | 96631562 |
| POPPACK LED 1700-840 HF L600 | LED | | 0,74 | 96634320 |
| POPPACK LED 2300-840 HF L600 | LED | | 0,74 | 96634321 |
| PopPack battens, dimmable | | | | |
| POPPACK LED 9000-840 HFI L1500 | LED | | 1,7 | 96631564 |
| POPPACK LED 6500-840 HFI L1800 | LED | | 1,8 | 96631568 |
| POPPACK LED 11000-840 HFI L1800 | LED | | 1,8 | 96631572 |
| POPPACK LED 3000-840 HFI L1200 | LED | | 1,4 | 96631540 |
| POPPACK LED 4500-840 HFI L1200 | LED | | 1,4 | 96631544 |
| POPPACK LED 7000-840 HFI L1200 | LED | | 1,4 | 96631548 |
| POPPACK LED 5000-840 HFI L1500 | LED | | 1,7 | 96631556 |
| POPPACK LED 6000-840 HFI L1500 | LED | | 1,7 | 96631560 |
| POPPACK LED 1700-840 HFI L600 | LED | | 0,83 | 96634322 |
| POPPACK LED 2300-840 HFI L600 | LED | | 0,83 | 96634323 |
| PopPack battens, emergency | | | | |
| POPPACK LED 9000-840 HF E3 L1500 | LED | | 2,3 | 96631563 |
| POPPACK LED 6500-840 HF E3 L1800 | LED | | 2,5 | 96631567 |
| POPPACK LED 11000-840 HF E3 L1800 | LED | | 2,5 | 96631571 |
| POPPACK LED 3000-840 HF E3 L1200 | LED | | 2 | 96631539 |
| POPPACK LED 4500-840 HF E3 L1200 | LED | | 2 | 96631543 |
| POPPACK LED 7000-840 HF E3 L1200 | LED | | 2 | 96631547 |
| POPPACK LED 5000-840 HF E3 L1500 | LED | | 2,3 | 96631555 |
| POPPACK LED 6000-840 HF E3 L1500 | LED | | 2,3 | 96631559 |
| PopPack battens, dimmable, emergency | | | | |
| POPPACK LED 9000-840 HFI E3 L1500 | LED | | 2,3 | 96631565 |
| POPPACK LED 6500-840 HFI E3 L1800 | LED | | 2,5 | 96631569 |
| POPPACK LED 11000-840 HFI E3 L1800 | LED | | 2,5 | 96631573 |
| POPPACK LED 3000-840 HFI E3 L1200 | LED | | 2 | 96631541 |
| POPPACK LED 4500-840 HFI E3 L1200 | LED | | 2 | 96631545 |
| POPPACK LED 7000-840 HFI E3 L1200 | LED | | 2 | 96631549 |

PopPack

| Description | ILCOS Code | Socket | Wt (kg) | SAP Code |
|-------------------------------------|------------|--------|---------|----------|
| POPPACK LED 5000-840 HFI E3 L1500 | LED | | 2,3 | 96631557 |
| POPPACK LED 6000-840 HFI E3 L1500 | LED | | 2,3 | 96631561 |
| PopPack battens, with sensor | | | | |
| POPPACK LED 3000-840 PIR L1200 | LED | | 1,4 | 96631581 |
| POPPACK LED 4500-840 PIR L1200 | LED | | 1,4 | 96631582 |
| POPPACK LED 7000-840 PIR L1200 | LED | | 1,4 | 96631583 |
| POPPACK LED 5000-840 PIR L1500 | LED | | 1,7 | 96631585 |
| POPPACK LED 6000-840 PIR L1500 | LED | | 1,7 | 96631586 |
| POPPACK LED 9000-840 PIR L1500 | LED | | 1,7 | 96631587 |
| POPPACK LED 6500-840 PIR L1800 | LED | | 1,8 | 96631588 |
| POPPACK LED 11000-840 PIR L1800 | LED | | 1,8 | 96631589 |
| PopPack Accessories | | | | |
| SWITCHLITE CC PROGRAMMER | | | 0,017 | 96240295 |
| POPPACK LED WIRE SUSPENSION KIT 2M | | | 0,25 | 96627711 |
| POPPACK LED WIRE GUARD 1,2M | | | 0,69 | 96627902 |
| POPPACK LED WIRE GUARD 1,8M | | | 1,04 | 96627903 |
| POPPACK LED WIRE GUARD 1,5m | | | 0,74 | 96628147 |
| POPPACK LED GROMMET KIT | | | 0,035 | 59010377 |
| POPPACK LED SCREW KIT x20 | | | 0,06 | 59010828 |
| POPPACK LED SCREW KIT x100 | | | 0,08 | 59010829 |