

PRODUCT SPECIFICATION

BALLAST TYPE: MHI 1000W/230V/50Hz

LABEL:

LAMPS: METAL HALIDE 1000W 9,50A

LABELLED dT: 80 **TYPICAL / MEASURED dT:** 77

THERMAL PROTECTIO NO

TW: 130

Terminal: Screw connector

BALLAST IS CE-MARKED AND MEETS EN 61347-2-9 & EN 60923 REQUIREMENTS AND OTHER RELEVANT IEC (EN) STANDARDS AND RELEVANT EU DIRECTIVES

ELECTRICAL SPECIFICATIONS AND TYPICAL ELECTRICAL VALUES & TOLERANCES

	Impedance		Losses	Abnormal impedance			Lamp power	Resistance
	Up100	Ip100	Pp100	Uk106	Ik106	Pk106	Typ. PL-%	20°C
	V	A	W	V	A	W	%	ohm
Typical	177.0V	9.500A	65.0W	243.8V	16.300A	170.0W	97	0.30Ω
Limits		± 2%	max 67		max 16,5			0,29-0,32

Power losses of ballasts are measured without a lamp.

Resistance values above are compensated values to the temperature of 20 degrees centigrade.

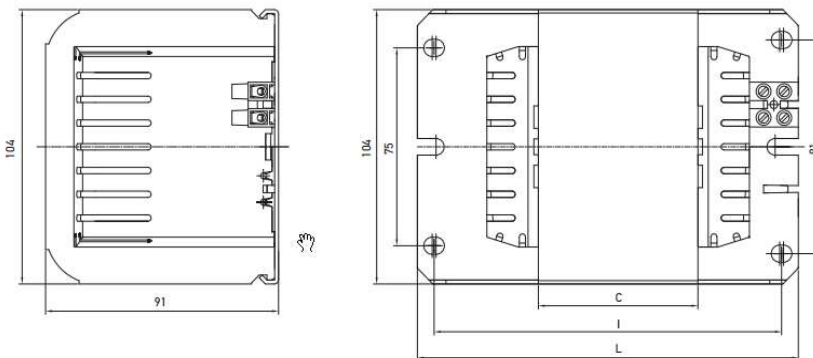
Acoustic noise level:

Acoustic noise level must be on an acceptable level.

MECHANICAL AND PHYSICAL SPECIFICATIONS

Height	Width	Stack length	Plate length	Fixing length	Weight
mm	mm	mm	mm	mm	Kg
91	104	160	248	235	10.9

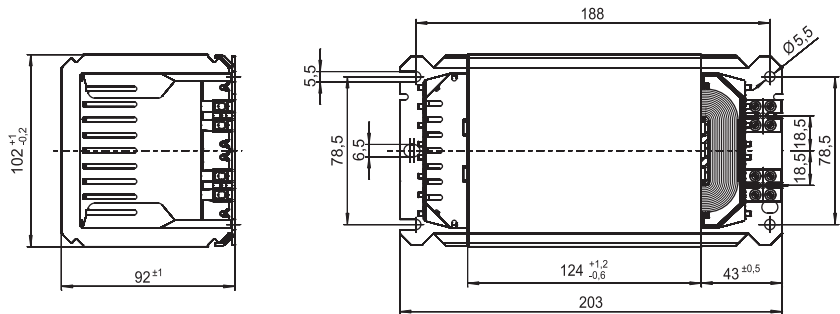
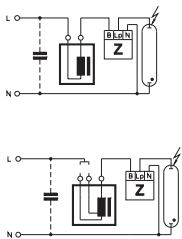
Dimensions



Ballasts for HS and HI Lamps 1000 W

Shape: 92x102 mm

For high pressure sodium lamps (HS) and metal halide lamps (HI)
 Vacuum-impregnated with polyester resin
 Screw terminals: 0.75–2.5 mm²
 Protection class I
 tw 130
 Ballasts for pulse ignition system on request



Lamp			Ballast										Capacitor	
Output W	Type	Current A	Type	Ref. No.	Voltage AC V, Hz	a mm	b mm	c mm	Weight kg	Δt K	Power factor λ	Energy efficiency	C _P μF	I _N A
1000	HS	10.30	NaHJ 1000.089	534487	220, 50	203	188	124	8.90	80	0.47	A2	100	5.1
	HI	9.50									0.51		85	5.0
1000	HS	10.30	NaHJ 1000.089	539212	220/230, 50	203	188	124	8.90	80	0.45	A2	100	5.1
	HI	9.50									0.49		85	5.0
1000	HS	10.30	NaHJ 1000.089	528548	230, 50	203	188	124	8.90	80	0.45	A2	100	5.1
	HI	9.50								70	0.49		85	5.0
1000	HS	10.30	NaHJ 1000.089	544787	230/240, 50	203	188	124	8.90	85	0.45	A2	100	5.1
	HI	9.50								70	0.46		85	5.0
1000	HS	10.30	NaHJ 1000.089	536140	240, 50	203	188	124	8.90	85	0.42	A2	100	4.8
	HI	9.50								75	0.46		85	4.9
1000	HS	10.30	NaHJ 1000.089	528536	220, 60	203	188	124	8.90	75	0.46	A2	100	5.1
	HI	9.50								60	0.50		85	5.0