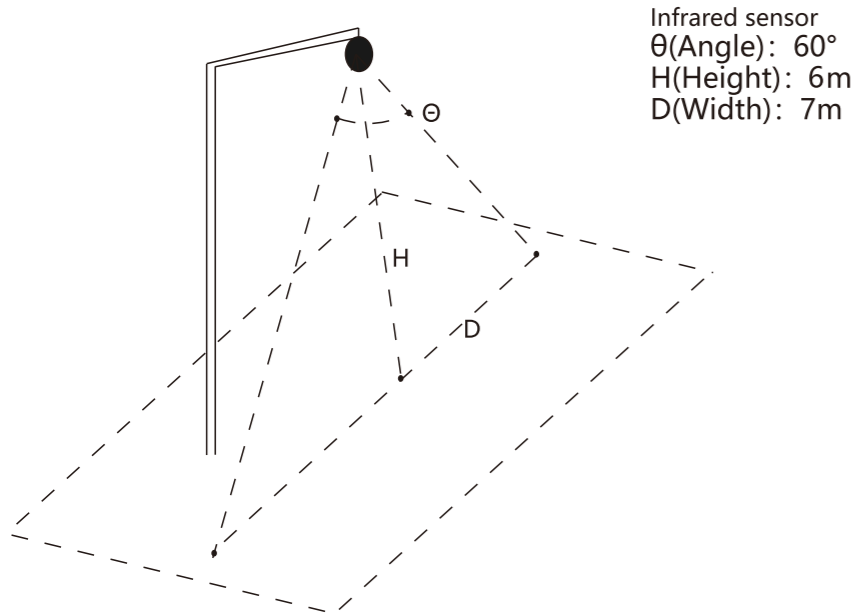
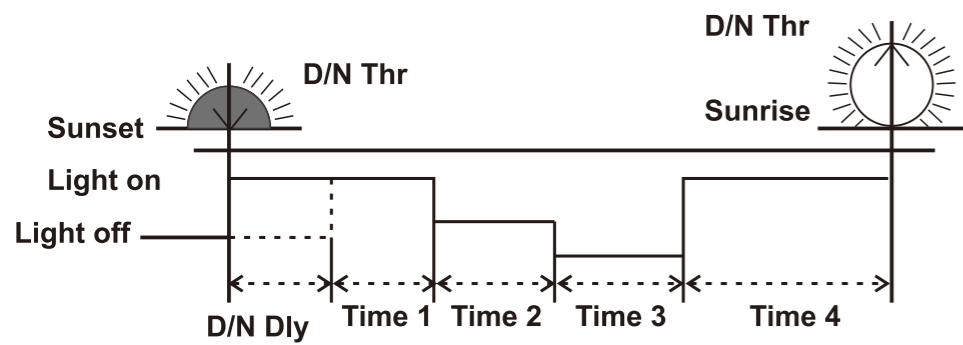


PIR Sensor Detect Areas

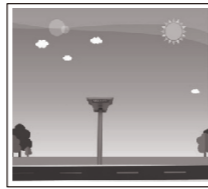


4 Stages Night Mode



* Please note the sensor function is available from time 1 to time 4.
 * You can set the fixtures with 4 stages timmer dimming yourself by the remote control.

Factory Default Setting



With sufficient natural light, the light keeps charging



The light keeps 100% brightness for 0.5hour



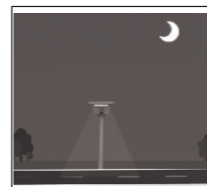
The light keeps 50% brightness when presence is detected in the 1st 4hours



The light keeps 10% when there is no presence is detected after 30S hold time in the 1st 4hours



The light keeps 20% brightness when presence is detected in the 2nd 4hours



The light keeps 10% when there is no presence is detected after 30S hold time in the 2nd 4hours

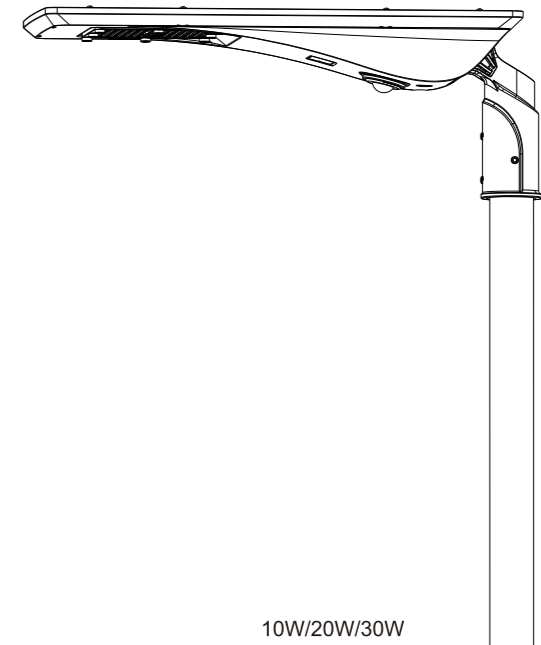


The light keeps 10% brightness for 3hours until the sunrise.

The controller recognizes day and night based on the Solar Array Open Circuit Voltage, this day/night threshold can be modified according to local light conditions and the Solar Array Used, setting range 3.0~8.0V.

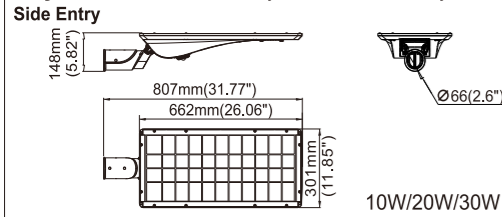
LED Solar Street Light

Instruction Manual

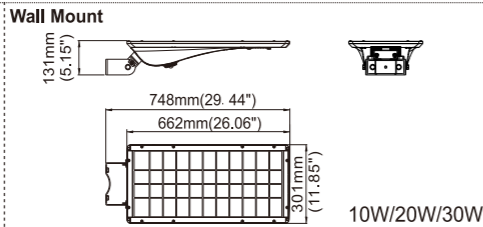
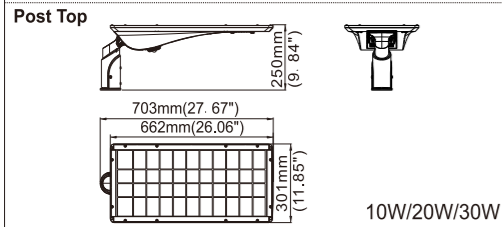
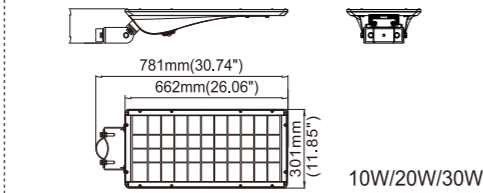


10W/20W/30W

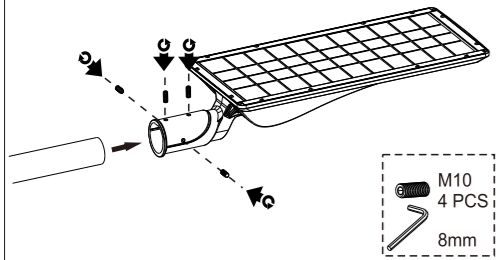
Physical Dimensions(Unit: mm/inch)



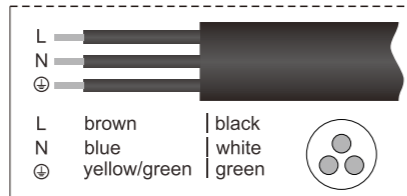
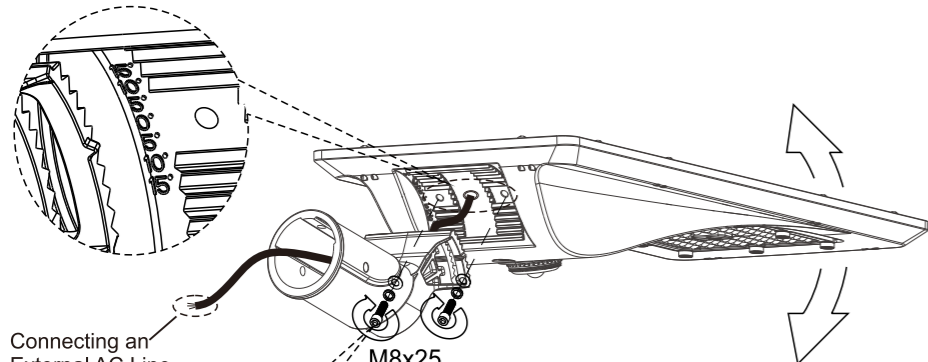
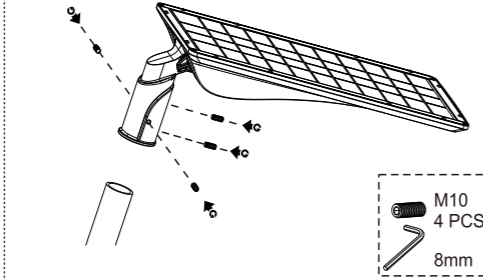
Pole Clamp Bracket Mount



Side Entry Mount

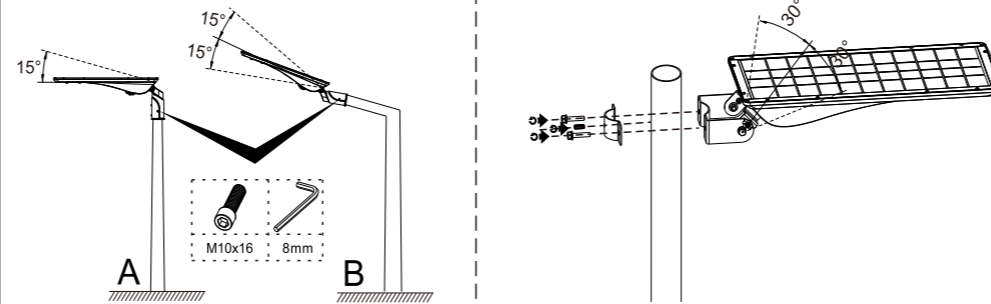


Post Top Mount

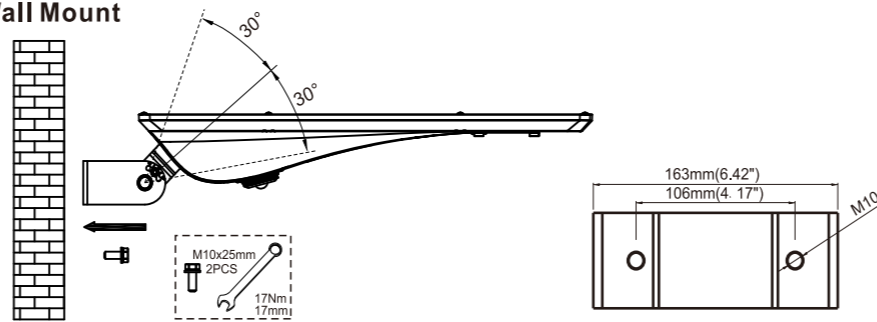


Pole Clamp Bracket Mount

Available for 60/76mm Pole

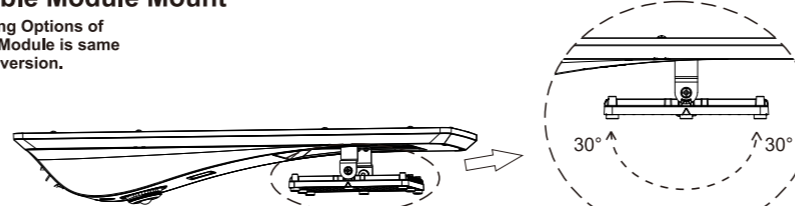


Wall Mount



Adjustable Module Mount

The Mounting Options of Adjustable Module is same like normal version.

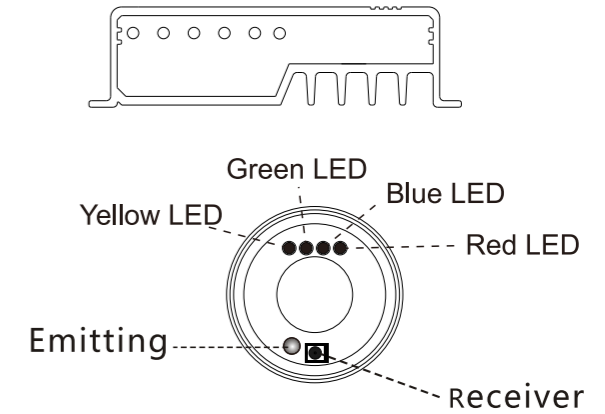


Main Function

This is hybrid solar energy street light. When the battery storage is insufficient(the battery voltage is lower than 9.6V), the luminaire will automatically switch to the mains power supply. When the solar power supply restores the voltage, the system will automatically cut off the mains power supply and restore the solar power supply.

Product Specifications	10W	20W	30W
Input Voltage	100-277V AC / 120-277 V AC / 100-240V AC/220-240V AC (Subject to the input voltage on nameplate)		
Power Frequency	50 / 60 Hz		
Outlook Dimensions	807x301x148mm(31.77"x11.85"x5.83")		
Net Weight	6±0.3kg(13.23±0.66Lbs)		
Projected Area	0.24m²(2.56ft²)		
Working Temperature	-20°C to + 50°C(-4°F to +122°F)		
Storing Temperature	-20°C to +60°C(-4°F to +140°F)		

Check the status of the controller



LED Display Explanation

Indicator light	Statu	Indicator light description
Blue light (battery)	Bright	Battery powered
	Out	No output voltage of battery
	Slow flash	Municipal power supply
	Flash	Battery undervoltage
Red light (photovoltaic)	Bright	The battery is in a state of charging saturation
	Out	The output voltage of the solar panel is lower than the light voltage (dark night)
	Flash	solar panels are charging the battery
	Slow Flash	During the charging process, the protection is started because the temperature is too high or too low
Green light (load)	Bright	The light is on, and the load has output
	Out	The light is turned off, and the load has no output
	Flash	Load output open circuit protection, short circuit protection, over current protection, over power protection
	Slow Flash	In the process of slow flash discharge, the protection is started because the temperature is too high or too low.
Yellow light (induction)	Bright	Sense that someone is walking or an object is moving (the controller with induction has this light)
Red, green and blue lights take turns flashing(at this time, it is powered by the solar panel)		Battery protection board. The system is opening and restarting the battery protection board. 2, the system can not find the battery, the battery has no communication, it may be reverse connection, the positive and negative poles are not connected properly, and there is something wrong with the battery.

Detailed fault information can be read by SG-Unit remote control.