

Constant Wattage Autotransformer Ballasts for ANSI Type Metal Halide Lamps

Shape: 109 x 107 mm

Vacuum impregnated with polyester resin

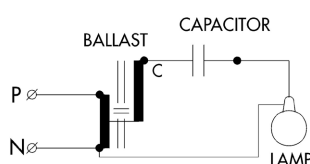
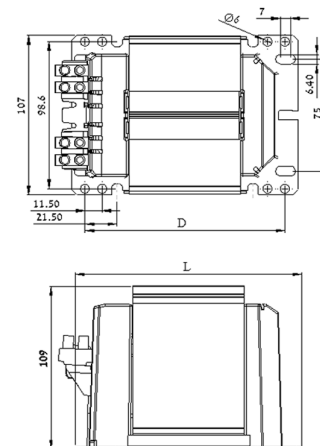
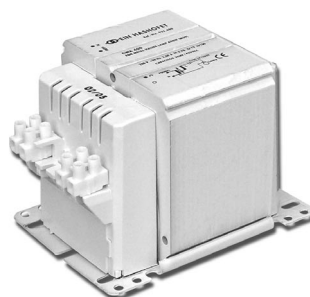
Screw terminals 2.5 - 6.0 mm²

Protection group I

tw 130

Acc. to EN 61347/60923

Capacitor included



The capacitor is essential for circuit operation

MH Lamp			Ballast								Capacitor		Line	
Type	Rated Power	Rated Current	Type	Ref. No.	V, Hz	Power Losses	ΔT	OCV	Weight	Dim.		μF±2.5% / V	Current	Power Factor
ANSI CODE	W	A				W	°C	V	Kg	L	D			
M58	250	2.15	JCWA 250.004	925.250	220, 50	40	70	285	5.30	152	136	18 / 450	1.35	0.98
M58	250	2.15	MCWA 250.005	935.250	230, 50	40	70	285	5.30	152	136	18 / 450	1.26	0.99
M59	400	3.25	MCWA 400.011	916.401	110, 60	55	75	305	6.80	152	136	24 / 450	2.20	0.99
M59	400	3.25	JCWA 400.004	925.400	220, 50	48	75	285	6.80	152	136	30 / 450	2.10	0.99
M59	400	3.25	MCWA 400.008	926.400	220, 60	55	75	305	6.80	152	136	24 / 450	2.20	0.99
M59	400	3.25	MCWA 400.005	935.400	230, 50	55	75	285	6.80	152	136	30 / 450	1.9	0.99
M59	400	3.25	MCWA 400.006	945.400	240, 50	55	75	285	6.80	152	136	30 / 450	2.1	0.99
M47	1000	4.10	JCWA 1000.004	925.100	220, 50	60	70	385	10.50	196	180	34 / 500	4.80	0.98
M47	1000	4.10	MCWA 1000.012	935.1000	220/230 / 240, 50	65	70	384	10.50	196	180	34 / 450	4.7	0.99
M47	1000	4.10	JCWA 1000.100	935.100	230, 50	60	70	380	10.50	196	180	34 / 450	4.7	0.99
M47	1000	4.10	MCWA 1000.006	945.100	240, 50	60	70	377	10.50	196	180	34 / 450	4.5	0.99
M48	1500	6.20	MCWA 1500.004	935.1500	230, 50	81	85	393	12.50	216	196	46 / 540	7.5	0.98
M48	1500	6.20	MCWA 1500.005	945.1500	240, 50	82	85	392	12.50	216	196	46 / 540	7.2	0.98