

Constant Wattage Autotransformer Ballasts for ANSI Type HPS Lamps

Shape: 109 x 107 mm

Vacuum impregnated with polyester resin

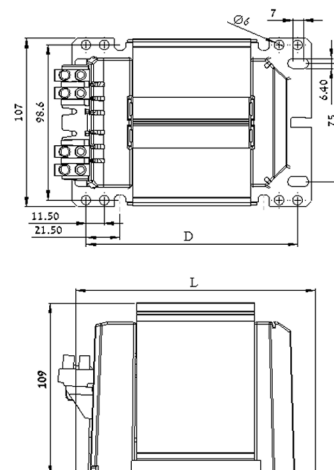
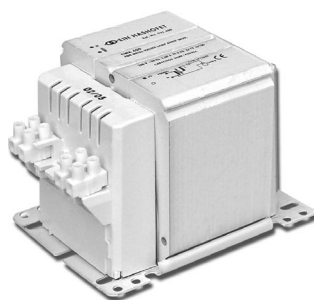
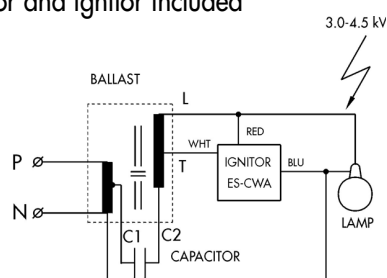
Screw terminals 1.5 - 4.0 mm²

Protection group I

tw 130

Acc. to EN 61347/60923

Capacitor and ignitor included



The capacitor and ignitor are essential for circuit operation

HPS Lamp			Ballast								Capacitor		Line		Ing.
Type	Rated Power	Rated Current	Type	Ref. No.	V, Hz	Power Losses	ΔT	OCV	Weight	Dimensions			Curr.	Power Factor	
ANSI CODE	W	W	A			W	°C	Kg	L	D	mm				
S52	1000	4.70	SCWA 1000.004	955.1006	220, 50	95	80	405	12.5	216	196	36 / 450	5.60	0.99	ES-CWA 1000
S52	1000	4.70	SCWA 1000.005	955.1001	230, 50	95	80	405	12.5	216	196	36 / 540	5.41	0.99	ES-CWA 1000
S52	1000	4.70	SCWA 1000.006	955.1002	240, 50	95	80	405	12.5	216	196	36 / 540	5.20	0.99	ES-CWA 1000

Other Voltages and Frequencies Available